

Atrix[®]-C Union

Cervical Allograft Interbody Spacer

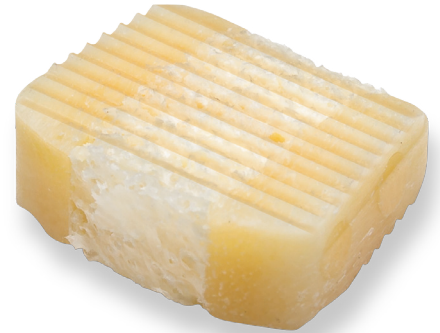


An osteoconductive matrix of
cortical and cancellous bone

Atrix[®]-C Union

Cervical Allograft Interbody Spacer

The Atrix-C Union allograft cervical interbody spacer provides an osteoconductive matrix creating an optimal environment for bone growth and fusion. Atrix-C Union allografts are available in three footprints and eight heights to accommodate a wide range of patient anatomy while providing a steady platform for fusion.

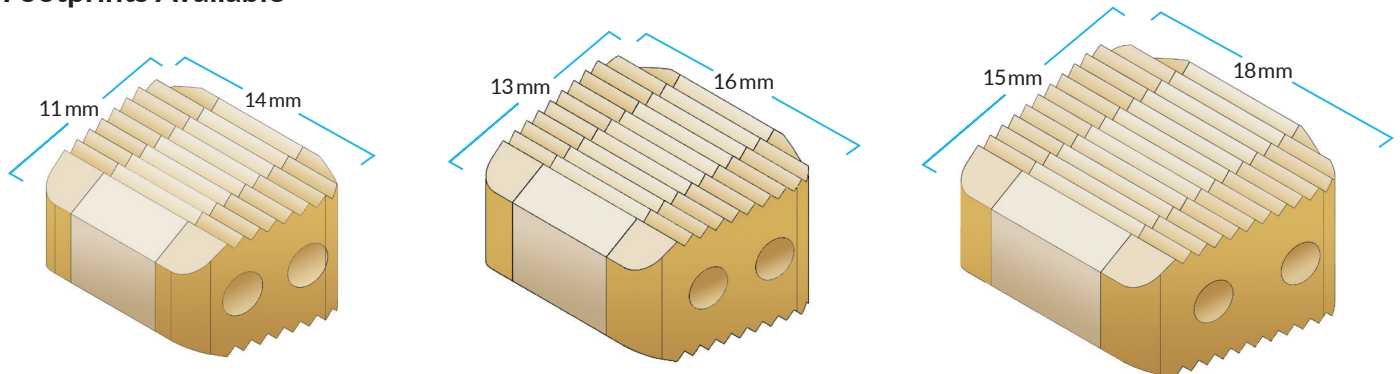


The combination of cortical, and cancellous tissue provides an osteoconductive matrix creating an optimal environment for bone growth, and fusion.

The Atrix-C Union allograft is available in three footprints, and eight heights to accommodate a wide range of patient anatomy while providing a steady platform for fusion.

- Ready to use, pre-hydrated packing reduces OR time and increases graft strength
- Engineered to withstand compressive forces and impaction loads
- Precision milled with 7° lordosis and anti-migratory ridges
- Tissue donors are thoroughly screened, and tested to meet, or exceed safety standards mandated by the FDA, and the AATB

Footprints Available



8 available heights, ranging from 5-12mm



☎ 888.886.9354
✉ cs@xtantmedical.com
🌐 xtantmedical.com
📍 664 Cruiser Ln,
Belgrade, MT 59714

INDICATIONS: See Package Insert for a more complete listing of indications, contraindications, warnings, precautions, and other important information.
LIMITED WARRANTY and DISCLAIMER: Xtant Medical products have a limited warranty against defects and workmanship and materials. Any other express or implied warranties, including warranties of merchantability or fitness, are disclaimed. WARNING: In the USA, this product has labeling limitations. See package insert for complete information. CAUTION: USA Law restricts these devices to sale by or on the order of a physician.

Atrix-C Union is a registered trademark of Xspine, a subsidiary of Xtant Medical
© Xtant Medical. All Rights Reserved. FM-C-MRK-101 (A) 09/2019