

Calix[®] PC

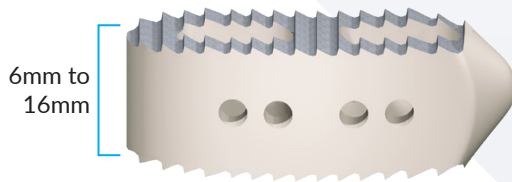
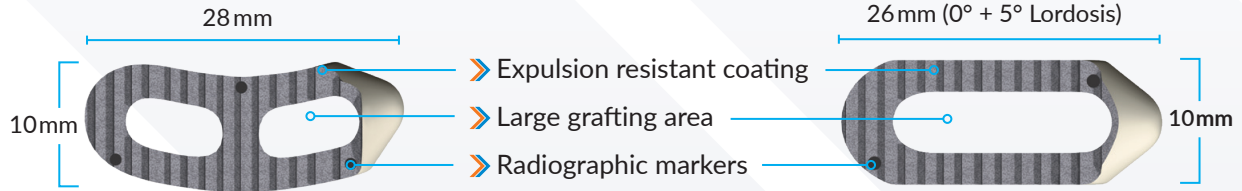
Plasma-Coated PEEK Implants



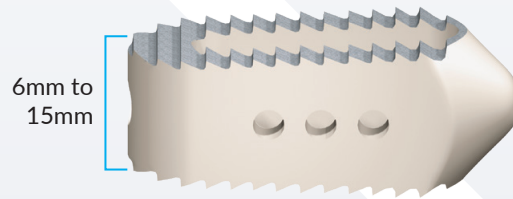
Frictional titanium plasma-coated
PEEK implants.

Calix[®] PC

Plasma-Coated PEEK Implants

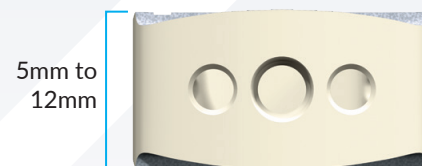
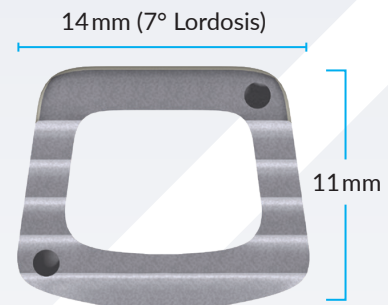


➤ Calix[®] T PC implant available in sizes 6mm to 16mm



➤ Calix[®] P PC implant available in sizes 6mm to 15mm

- Metallic surface allows for fluoroscopic endplate visualization
- Combines the osteo-equivalent modulus of PEEK with the bone qualities of titanium
- Frictional titanium plasma coating on bone contact areas
- 79% increased expulsion resistance compared to non-coated PEEK*
- Calix T and Calix P PC are sterile packed



➤ Calix[®] C PC implant available in sizes 5mm to 12mm



888.886.9354
 cs@xtantmedical.com
 xtantmedical.com
 664 Cruiser Ln,
 Belgrade, MT 59714

INDICATIONS: See Package Insert for a more complete listing of indications, contraindications, warnings, precautions, and other important information.
 LIMITED WARRANTY and DISCLAIMER: Xtant Medical products have a limited warranty against defects and workmanship and materials. Any other express or implied warranties, including warranties of merchantability or fitness, are disclaimed. WARNING: In the USA, this product has labeling limitations. See package insert for complete information. CAUTION: USA Law restricts these devices to sale by or on the order of a physician.

*Data on File.

Calix is a registered trademark of X-spine, a subsidiary of Xtant Medical.
 © Xtant Medical. All Rights Reserved. FM-C-MRK-102 (A) 09/2019